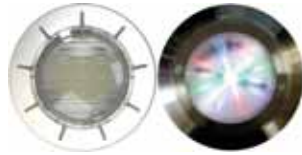




PPX30 (Gaïa - Noria)

Underwater LED lighting

Réf : PF10R25B



No-Niche Underwater Luminaire for Swimming Pool

UL FILE E471596



Table of Contents

1. Technical features	2
2. Packaging Contents	2
3. Warnings	3
4. Technical support	3
5. Description	4
6. Use - Autonomous mode	5
7. Safety	5
8. Installation	6
8.1. Placement of trim (Gaïa only)	6
8.2. Placement in a niche	7
A. Declaration of conformity	8



Read these instructions carefully before installing, commissioning and using this product.

1. Technical features

Sizes	Gaia (plastic version) : Ø 221 mm / depth 134mm (5-9/32in) Noria (stainless steel version) : Ø 240 mm / depth 97mm (3-13/16in)	
Installation	In PLUG IN POOL niche only	
Power supply	By PLUG IN POOL sub plate only	
Power consumed	25W maximum (according to colour)	
Weight	Gaia : 600g/1,32lb (light) / 850g/1,87lb (packaged) Noria : 1,15kg/2,53lb (light) / 1,4kg/3,09lb (packaged)	
LED type	9 powerful monochrome LEDs (3R/3G/3B) + 6 MidPower cool white LEDs 6000°K Risk group 1 (low risk) according to IEC62471:2006	
Protection index	IP-68	
Max. luminous flux	According to colour/1150 lm maxi (white)	
Color control	By Brio-RC+ BT or by toggle switch	
Trim	PF10R25B/W	white ABS
	PF10R25B/A	dark grey ABS
	PF10R25B/G	light grey ABS
	PF10R25B/S	sand ABS
	PF10R25B/I	Stainless steel - 316L



Floodlights must never be turned on outside of water.

2. Packaging Contents

1 BRIO PPX30 light with

- Trim (pre-assembled)
- Technical manual (this document)
- Noria (PF10R25B/I) only : Sheet metal seal to avoid damaging the coating.

3. Warnings



This product must be installed by a licensed or certified electrician or a qualified pool professional in accordance with the current National Electrical Code (NEC), NFPA 70 or the Canadian Electrical Code (CEC), CSA C22.1. All applicable local installation codes and ordinances must also be adhered to. Improper installation will create an electrical hazard which could result in death or serious injury to pool users, installers or others due to electrical shock, and may also cause damage to power source. Always disconnect the power to the pool light at the circuit breaker before servicing the light. Failure to do so could result in death or serious injury to service person, pool users or others due to electrical shock.



For countries in compliance with International Electrotechnical Commission (IEC) regulatory standards: The light fixture must be installed by a licensed or certified electrician or a qualified pool service person, in accordance with current IEC 364-7-702 and all applicable local codes and ordinance. Improper installation will create an electrical hazard, which could result in death or serious injury to pool user, installer or other due to electrical shock and may also cause damage to the property.

4. Technical support

Website : www.ccei.ca / Phone : +1.514.963.4226

5. Description

The PPX30 power LED lights are designed to replace pool projectors which are traditionally fitted with 300W PAR56 incandescent bulbs. They are exclusively installed in the PLUG IN POOL base and enable you to reduce your energy consumption and light up your pool.



They come with powerful LED to improve the quality and reliability of the lighting of your pool while reducing your energy consumption.

The colours are created by mixing 3 primary colours: Red (R), Green (G for "Green") and Blue (B) and adjusted by the lighting of white LED (W for "White").

By adjusting the intensity of these four colours, it is possible to create more than 4 billion shades! The addition of white sources will retain the advantages of RGB, and adds on those provided by white LEDs. Besides the fact that an unbelievable number of colours can be provided, the forte of the white is that it provides additional tones by the "pastel colouring" of colours

6. Use - Autonomous mode

In the absence of a control unit, the lights operate autonomously and the user can choose between 18 modes: 11 set colours and 7 programmes;

Mode	Type	Description
1	Set colour	Pure white
2	Set colour	Blue
3	Set colour	Blue lagoon
4	Set colour	Cyan
5	Set colour	Violet
6	Set colour	Magenta
7	Set colour	Pink
8	Set colour	Red
9	Set colour	Orange
10	Set colour	Green
11	Set colour	Sea green
12	Sequence	Quick "Rainbow"
13	Sequence	Slow "Rainbow"
14	Sequence	Procession of 11 set colours
15	Sequence	Colourful psychedelic flashes
16	Sequence	Blue/White/ Cyan
17	Sequence	Random sequence 1
18	Sequence	Random sequence 2

Change of mode

The mode can be changed by cutting the power supply of the lights for a very short space of time (less than 1s).

By successive interruptions, it is possible to display the 18 operating modes. After mode 18, the PPX30 return to the first colour (mode 1)

Reset

To reset the lights and take them to mode 2 at the same time, the power supply should be cut for approximately 2s.

When the projector is started up after a cut of several seconds (more than 4s), the PPX30 loads back up in the mode displayed at the time it was last shut down.

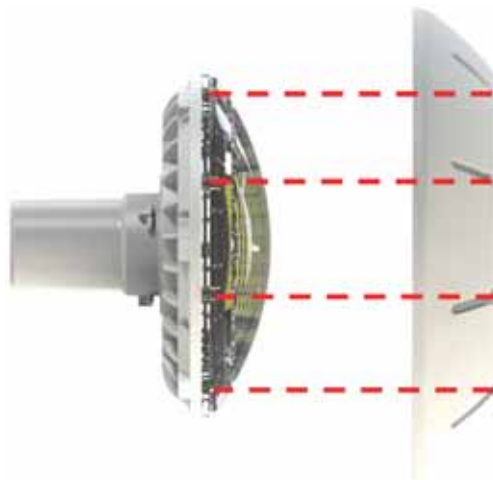
7. Safety

If the temperature inside the PPX30 is abnormally high, a safety device shuts off the lighting and produces a red flashing light. As soon as the normal temperature returns, the lights return to normal working order.

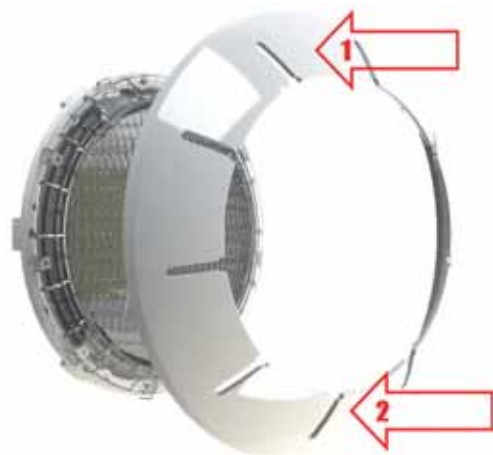
8. Installation

8.1. Placement of trim (Gaïa only)

The trim of your choice should be clipped around the former as shown in the following illustration:



Put a clip, then a second opposite of the first before clipping all ;



8.2. Placement in a niche



BRIO PPX30 LED light should be installed only in the PLUG IN POOL sub plate. We recommend that installation is performed by a professional. Please refer to the niche installation instructions for placement.



Noria only : Glue the edge of sheet metal seal supplied on the outside of the stainless steel trim, to avoid damaging the coating.

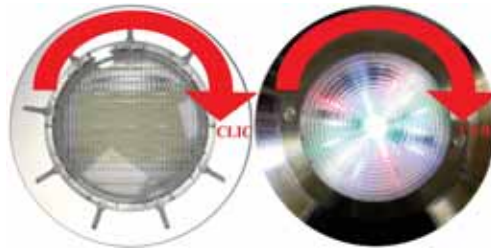


INSTALLERS AND INSPECTORS

THE Plug in Pool Lights AND PLASTIC NICHE FORM A COMPLETE NON-METALLIC LOW VOLTAGE LIGHTING SYSTEM. THIS CONFIGURATION DOES NOT REQUIRE BONDING OR GROUNDING WHEN INSTALLED IN COMPLIANCE WITH THE CURRENT NATIONAL ELECTRIC CODE (NEC).

8.2.1. Locking the projector

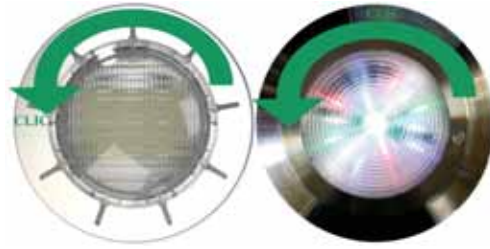
The projector is locked using a bayonet system. To lock the projector, turn it clockwise (see illustration below).



The PLUG IN POOL sub plate automatically detects the presence of the projector. No energy is transmitted if the projector is not present.



8.2.2. Unlocking the projector

The projector is unlocked using a bayonet system. To unlock the projector, turn it anti-clockwise (see illustration below).



A. Declaration of conformity



<p>CCEI Inc. (Québec 1170122155) declares that product PPX30 (Gaïa - Noria) is compliant with the safety and electromagnetic compatibility requirements of European directives 2006/95/CE and 2004/108/CE and is listed UL under the number E471596.</p>		
		<p>Pierre-Yves Flattot Montreal, on 16/01/2017</p>
<p>Distributor's stamp</p>		
<p><i>Date of sale:</i> <i>Batch N°:</i></p>		